



ATS Series Position Monitoring Switch



First in Automation...



Weather Proof position monitoring switches



ATS series position monitoring switch boxes are primarily a rotary position indication device designed to integrate valve and NAMUR rotary pneumatic actuator with a variety of mounting options, internal switches or sensors and configurations.

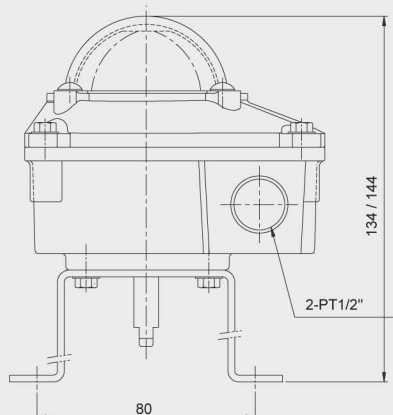
ATS 210 series

ATS 210 series are specially designed suitable for small size pneumatic actuator and valves to reduce installation space, but provides high performance by equipping a variety of switches and sensors.

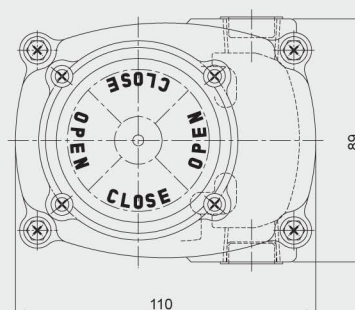
SPECIFICATION	Standard	Option
Enclosure	Weather proof IP67, O-ring sealed	
Outside coating	Epoxy-Polyester inside and outside against corrosion	Nylon Coating Special color Coating
Ambient temperature	-20°C~+80°C	
Cable entries	2 - PT1/2", other standard threads	(NPT1/2", PF1/2", M20x1.5 and PG13.5)
Terminal block	8 nos of terminal strips (6 for switches, 2 for solenoid valve power)	
Position indicator	Dome type 0°~90°	Others(3 way L-port, T-port)
Mounting bracket	Stainless steel acc. to VDI/VDE3845, NAMUR, SS1, SS2 as standard	SS3, MT1 as option
Switches(Sensors)	2-SPDT mechanical switch(Form C) as standard	Proximity sensors(P & F, Autonics), Others

DIMENSION

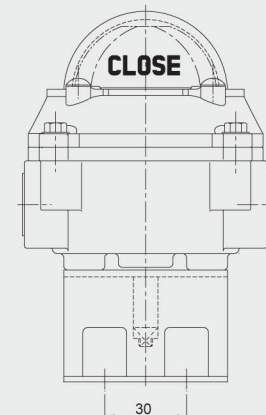
ATS 210 series



Front view



Top view



Side view

Explosion Proof position monitoring switches

Rigid and compact design constructed from aluminum alloy die-casting capable of operating even in arduous conditions

ATS 510 series

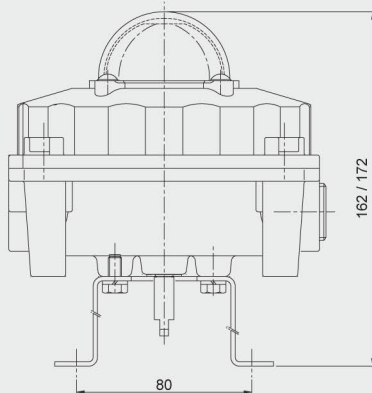
ATS 510 series are designed suitable for valve and actuators in hazardous area application, having compact but robust construction conforms to EN50014 and 50018, also suitable in Zone 1 and 2, and ingress protection IP67
Standard aluminum housing provides reliable explosion proof performance.



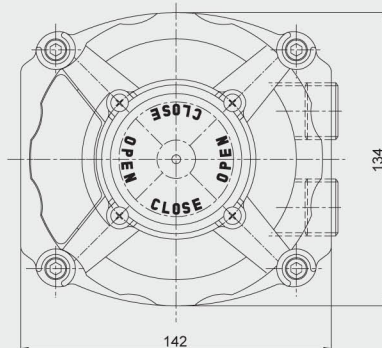
SPECIFICATION	Standard	Option
Enclosure	Explosion proof Ex d IIC T6, IP67, O-ring sealed	IP 68
Outside coating	Epoxy-Polyester outside against corrosion	Nylon Coating Special color Coating
Ambient temperature	-20°C~+80°C	Higher(~100°C) and lower (-40°C~) temperature
Cable entries	2 - PF3/4", other standard threads	(NPT3/4", PF3/4", M25x1.5)
Terminal block	8 nos of terminal strips (6 for switches, 2 for solenoid valve power)	
Position indicator	Dome type 0°~90°	Others(3 way L-port, T-port)
Mounting bracket	Stainless steel acc. to VDI/VDE3845 NAMUR, SS1, SS2 as standard	SS3, MT1 as option
Switches(Sensors)	2-SPDT mechanical switch(Form C)	DPDT Switches Proximity sensors(P & F, Autonics) Magnetic sensors Position transmitter (output 0~1Kohm, 4-20mA DC)

DIMENSION

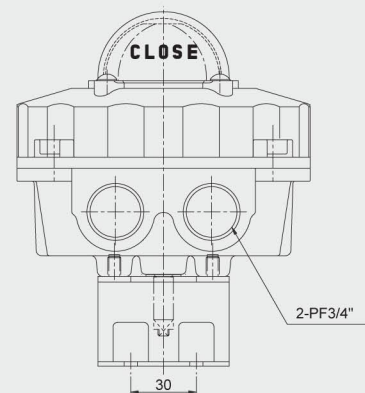
ATS 510 series



Front view



Top view



Side view

Special Material position monitoring switches

Dome position indicator constructed from high impact resistance poly-carbonate material which offers instant visual recognition of valve or actuator position up to 50 meters distance.



ATS 510S304 series

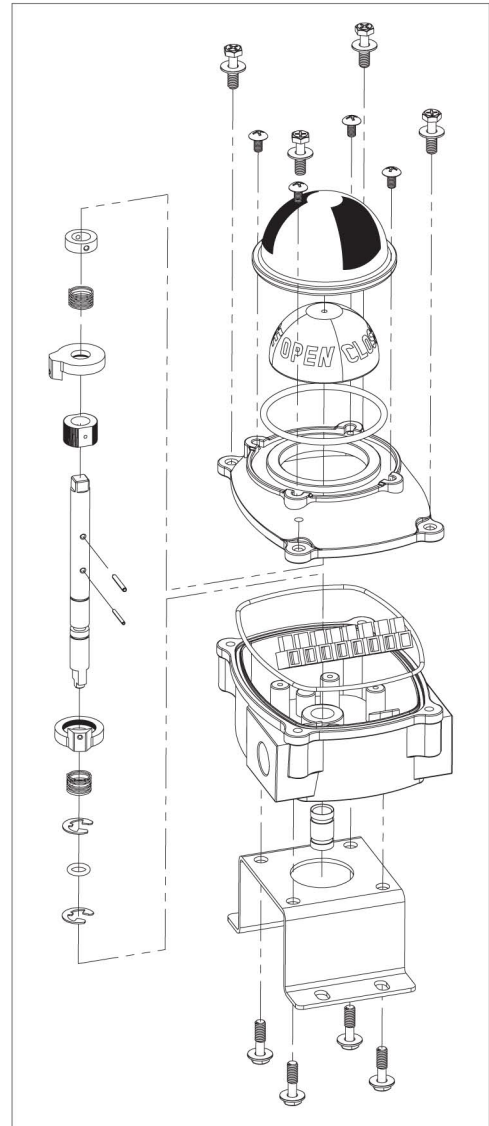
Special stainless steel housing(304L or Duplex) provide very high protection performance against extremely corrosive environmental condition.

Suitable for off-shore application.

Other specification is same with ATS 510S304 series except for enclosure & coating.

CONSTRUCTION MATERIAL

Housing	Low cooper aluminum die-casting
Coating	Epoxy-Polyester inside/outside(210 series) Chromated /Epoxy-Polyester(510 series) No painting on stainless steel housing
Sealing	NBR O-rings on each interface (Dome indicator, Lower/Upper housing, Shaft)
Cams	Poly-carbonate
Bushings	Bronze
Shaft	AISI303 Stainless steel
Earth Lug	Stainless steel
Bolts	All in stainless steel
Mounting bracket	Plate steel(ST series) Stainless steel(SS series and MT1)



ATS Series position monitoring switches

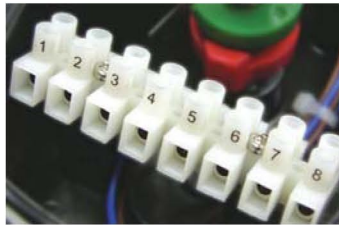
Easy set cam

Easy and precise cam set without setting tool
Red cam for close, Green cam for open



Standard Cam

Cam with Sensing Target



Terminal block and strips

Socket type terminal strip with screws
Max. 2.5mm², 26A at 30°C(approved by UL, CSA)

Visual position indicator

Directly engaged with driving shaft to provide continuous position
High strength, Chemical resistance and transparent poly-carbonate
High visibility and reliability
Red for close, Yellow for open (Red for close, Green for open as option)



Standard



L-port

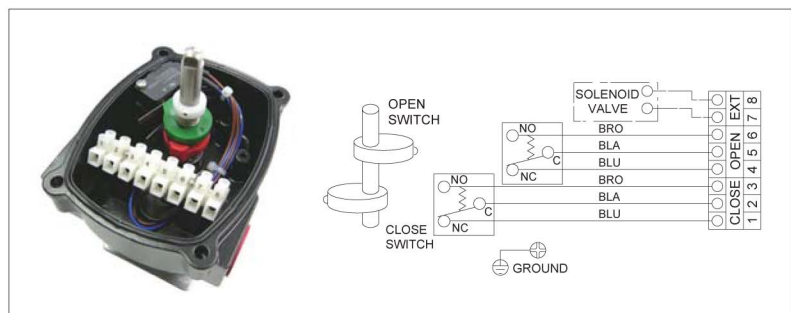


T-port

Mechanical switches

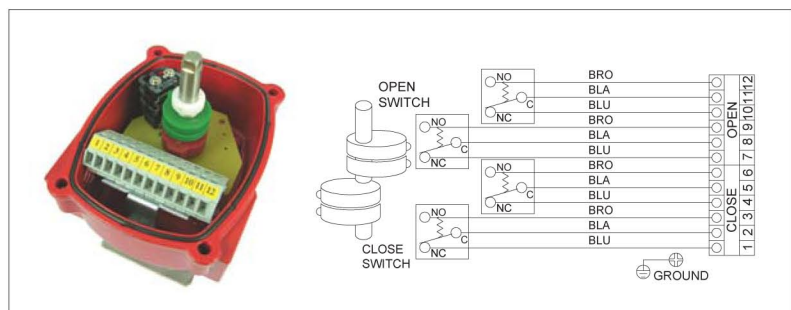
2-SPDT switches

Rating : 16A 1/2HP 125/250V AC,
0.6A 125V DC
0.3A 250V DC
approved by UL, CSA



4-SPDT switches

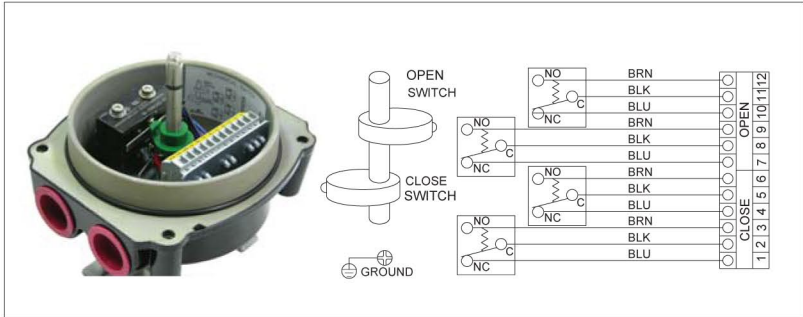
Rating : 5A 125 V AC
3A 125 V AC
0.6A 125 V DC
approved by UL, CSA



ATS Series position monitoring switches

Mechanical DPDT switches

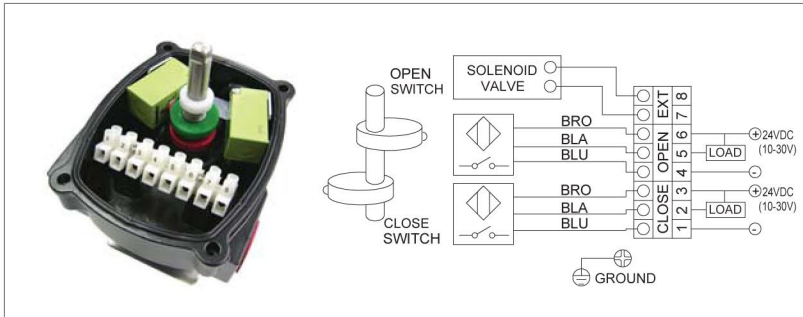
Rating : 10A 125 or 250V AC
 2A 480V AC
 1/8HP 125V AC
 0.25HP 250V AC
 0.5A 125V DC
 0.25A 250V DC
 approved by UL, CSA



Proximity Sensors

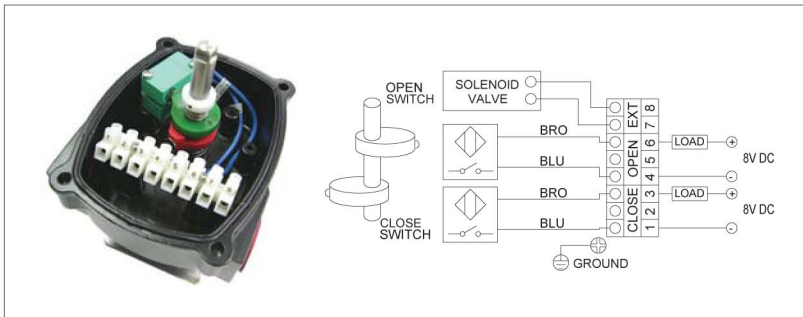
Autonics sensors

PS17-5DNU(NPN, PNP)
 Voltage rating : 10~30V DC
 Sensing distance : 5mm
 Ambient temperature : -25°C ~+70°C



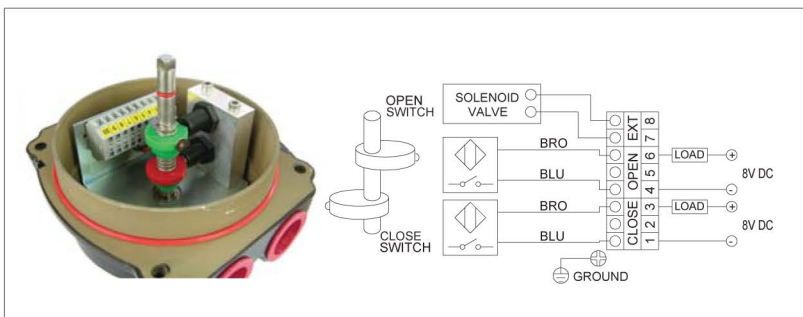
P & F sensors

NJ2-V3-N(Intrinsic safe, two wire)
 Voltage rating : 8V DC
 Sensing distance : 2mm
 Ambient temperature : -25°C ~+100°C



NJ4-12GK-SN

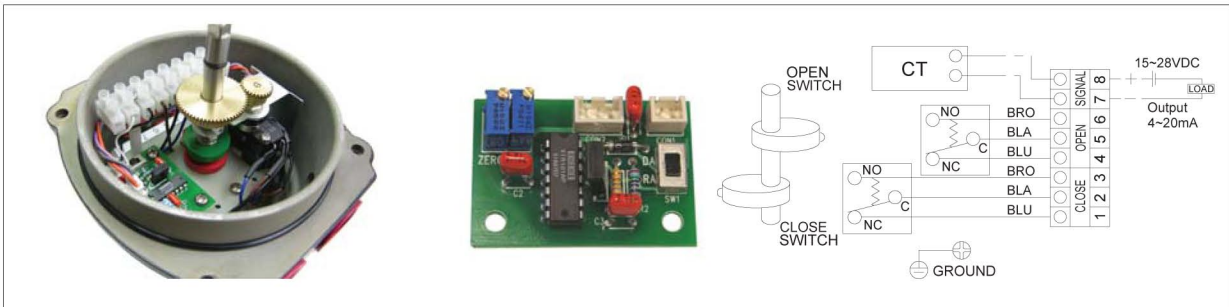
Voltage rating : 8V DC
 Sensing distance : 4mm
 Ambient temperature : -50°C ~+100°C



Explosion Proof position monitoring switches

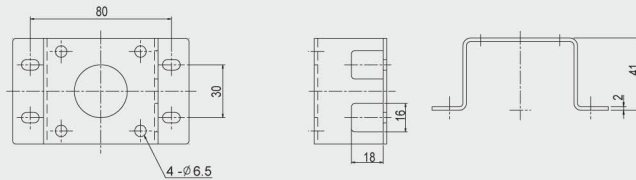
Position transmitter

Providing 4-20mA DC(or 0~1Kohm) output signal as feedback, 15~28VDC loop power(24V DC input power)
 Load impedance : 0~600 Ohm, Max output : 35mA DC
 Adjustment : Zero and span

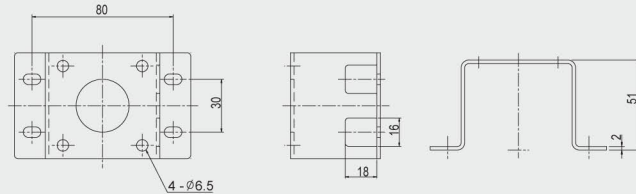


Mounting bracket(Acc. to VDI/VDE3845)

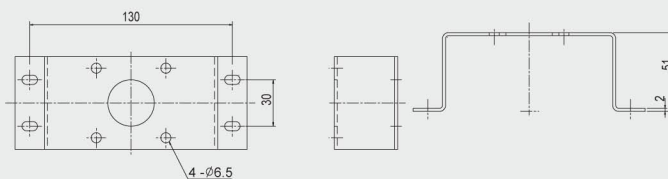
SS1



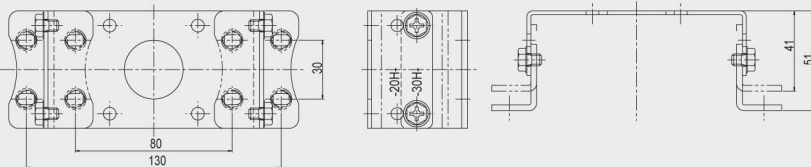
SS2



SS3



MT1



Standard bracket provided together with switch box(included)

SS1 30 x 80 x 20(H) ST1 30 x 80 x 20(H)
 SS2 30 x 80 x 30(H) ST2 30 x 80 x 30(H)

Optional bracket provided with extra cost

SS3 30 x 130 x 30(H) ST3 30 x 130 x 30(H)
 MT1 30 x 80 x 20(H), 30 x 80 x 30(H)
 30 x 130 x 20(H), 30 x 130 x 30(H)

Others as option

ATS Series position monitoring switches

Model number Legend

ATS	2	1	0
	2: Weather proof	1: Mechanical switches	0 : 2 - SPDT
	5: Explosion proof		1 : 3 - SPDT
	5: Special material housing (304L, Duplex)		2 : 4 - SPDT
			3 : 2 - SPST
			4 : 2 - DPDT
			5 : 2 - SPDT + output(4-20mA)
		2 : Proximity sensors	0 : Autonics(PS17-5DNU)
			1 : P & F (NJ2-V3-N)

- Model numbers in Green are applicable to ATS210, 510 and 510S series
- Model numbers in Red are applicable to ATS510 and 510S series