

## Solenoid Valves Type SNMC-532 Series



### Application

Control valve for process engineering and industrial applications.

<b>Function Way</b>	3/2 , 5/2
<b>Body Material</b>	Aluminium or Stainless Steel
<b>Explosion Protected</b>	Ex d IIC T6 / Exia , IP66
<b>Temperature Range</b>	-25 to +70°C



### FEATURES

- The same spool valve can be adapted for 3/2 NC or 5/2 function for controlling single-acting or double-acting actuators.
- The valves threaded port connections and NAMUR style interface.
- All the exhaust ports of this spool valve are connectable, providing better environmental protection, particularly recommended for sensitive areas such as clean rooms, and applications in the pharmaceutical and food processing sectors.
- The valve offers environmental protection against the ingress of liquids, dusts or any other foreign matter (environmentally-protected construction).
- Epoxy moulded coil for general service applications.
- The solenoid valves satisfy all relevant EC Directives.
- The monostable spool valves have TÜV-EXIDA certified IEC 61508 Functional Safety data and can be used up to SIL3/4.



Fig.1: Type SNMC-532 Solenoid Valves

### GENERAL

Air Supply	2 – 8 bar
Flow (Qv at 6 bar)	G1/4 = 660 l/min
Supply Power	12/24/48 VDC, 3.5W 110/220 VAC, 50/60Hz, 40VA
Temperature Range	-25 to +70°C

### Ordering text

Solenoid Valve Type	SNMC-532
Body Body material	Aluminum or Stainless Steel
Selection Cv	1.4
Supply power	12/24/48 VDC, 3.5W 110/220 VAC/50Hz, 4VA
Hand operating	Yes or No
Explosion protect	Ex d IIC T6 or Exia or Non Ex.
Degree of protection	IP65 / IP66

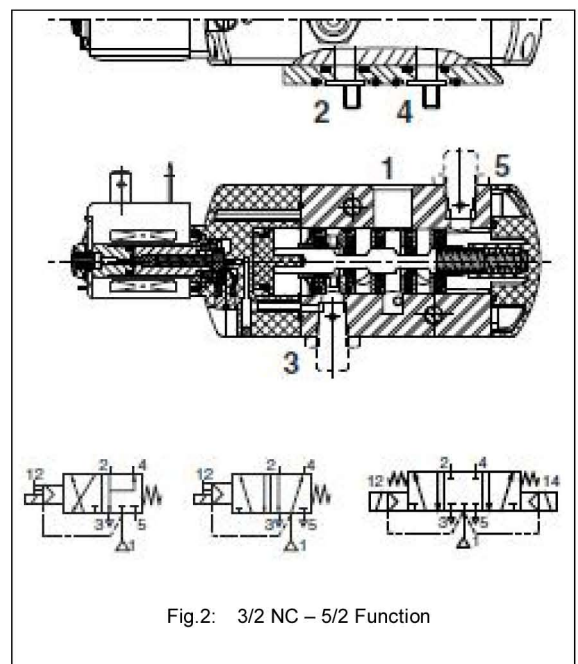



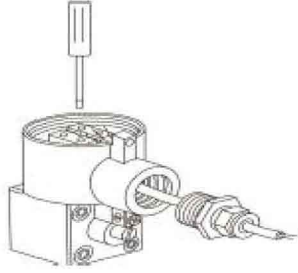


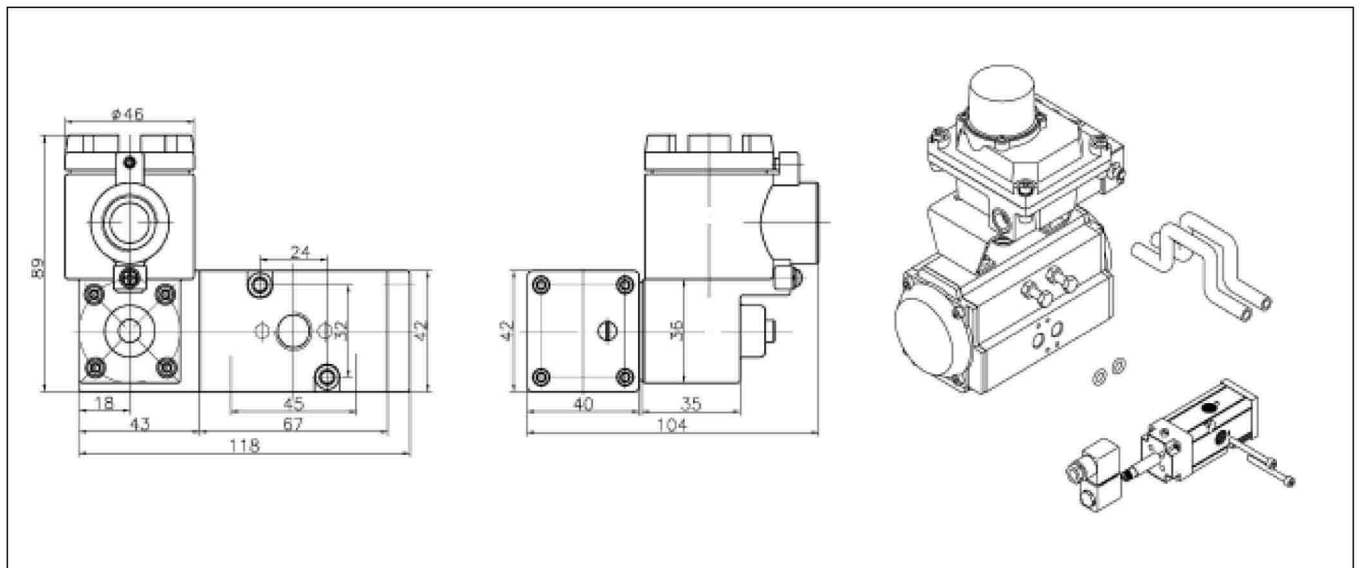
Fig.2: 3/2 NC – 5/2 Function

**Table 1: Technical data**

BODY		Explosion proof coil	
Body Material	Aluminum or Stainless Steel	Explosion-proof form	Aluminum Armored shell or Stainless Steel Armored shell
Internal Parts	Zamak, Stainless Steel, Aluminium		
Seals	NBR + PUR	Explosion Protected	Ex II2G Exd IICT6, DIP20
Core and Plugnut	Stainless Steel	Degree of protection	IP66
Way Functions	3/2 , 5/2	Operating voltage	12/24/48 VDC, 3.5W 110/220 VAC/50Hz, 4VA
Control mode	Single electric or Double control		
Flow coefficient	Cv=1.4 (25mm <sup>2</sup> )	Allowable V fluctuation	±10%
Pipe size	G 1/4	Cable interface	NPT 1/2"
Connection Std.	24mm x 32mm NAMUR	Insulation grade	Class F, ≤1000V
Explosion Protected	Ex d IICT6 or Exia IICT6	Load cycle	100% ED
Degree of protection	IP65	Temperature range	-25 to +70°C
Use environment	Indoor and outdoor clean	<b>Coil connection</b>	
Temperature range	-25 to +70°C	<b>Note:</b> Must be equipped with explosion-proof cable joints NPT 1/2	
Air supply	2 – 8 bar (Dry and filtrated Dry and by 40um filtrated)		

**Table 2: Dimensions in mm and assembly drawing**



Specifications subject to change without notice